



**RHINESTAHL AMG**

TURNING CAPABILITIES

 **Rhinstahl AMG**  
Advanced Manufacturing Group

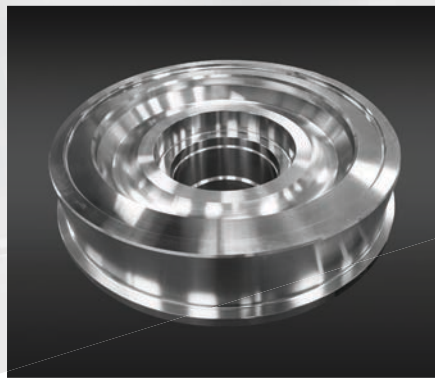
# Rhinstahl AMG | Turning Capabilities

## Turning

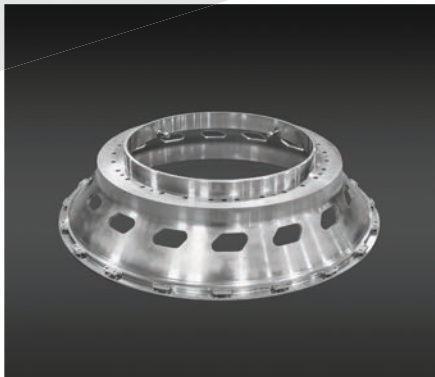
Rhinstahl AMG specializes in small to large turning operations with precision milling capabilities. Our process management team eliminates the need for multiple machines and setups by utilizing our turning and milling capabilities.

## CAPABILITIES

- 78" Max Swing Diameter on Vertical Turning Center
- 160" Max Length on Horizontal Turning center



3' Diameter



2' Diameter



3' Diameter

